

Line Coaxial Lights

LNV series

Refer to our website for product details.

CCS LNV

Search



You can also use your smartphone or cell phone.

For quick access.

Provides diffused light from the same axis as the camera



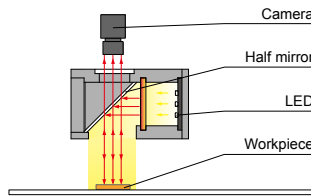
Applications

Inspection for gaps between electronic parts on circuit boards, inspection for faults in lead frames, inspection for stains attached to sheet metal, etc.

Features

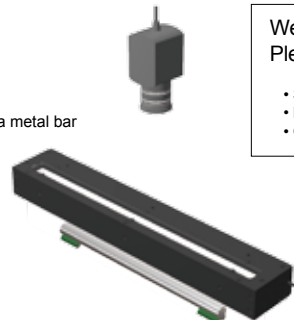
Line coaxial illumination. Allows for imaging with a line sensor camera.

Example configuration (LNV-300 series)



Applications

Inspection for dents on a metal bar



We accept custom orders. Please feel free to inquire.

- Shape modifications
- Brightness increases
- Changes in wavelength, etc.

Lineup

Model name	LED color	Power consumption	Peak wavelength/ correlated color temperature	Options	Extension cables	Recommended Control Units	Weight
LNV-300RD2	Red	24 V / 19 W	630 nm	-	FCB ^{*3} Straight Cable	FCB-W 2-branch Cable	550 g
LNV-300SW2	White	24 V / 13 W	5,500 K		FCB-F 4-branch Cable	FRCB Robot Cable	
LNV-300BL2	Blue	24 V / 13 W	470 nm		PD3 ^{*1}	CC-ST-1024 ^{*4}	
LNV-300GR2	Green	24 V / 9.9 W	525 nm		PSB	POD ^{*2}	

LED Properties: Spectral Distribution ▶ P.306

Extension Cables ▶ P.296

Control Unit Selection Guide ▶ P.243

List of Control Unit Specifications ▶ P.245

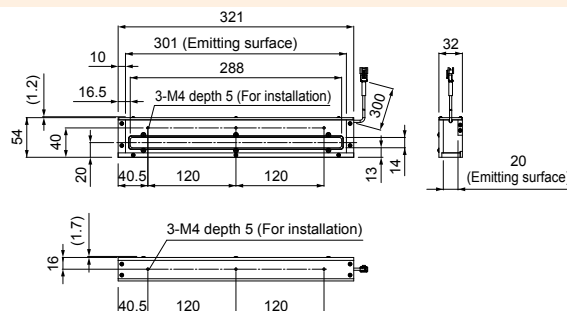
*1 Custom products with a PWM frequency of 500 kHz are available for Digital Control Unit PD3 series. Please contact your CCS sales representative for details.

*2 For information on the combination of Light Units and POD-series Control Unit, please refer to our website. <http://www.ccs-grp.com/lnk/qr/pod>

*3 The cables with a model name that ends with "-ME7" or "-EL2" are not included.

Dimensions (mm)

LNV-300RD2/SW2/BL2/GR2



You can change the connectors of the LightUnit cable. Choose between M12 connectors and flying leads. Refer to P.5 for details.

Various technical documents available.

PDF Drawings

DXF Drawings

3D CAD

Instruction Guides

Product Filers

Imaging Samples

Data Sheets

Examples of Custom Ordered Products

Download here.

<http://www.ccs-grp.com/dl/>