

Line Lights

LN-HK series

Refer to our website for product details.

CCS LN-HK

Search



You can also use your smartphone or cell phone.

For quick access.

Direct Lighting	LDR2
	LDR2-LA
	LDR-LA1
	SQR
	SQR-TP
Diffused Lighting	HPR2
	LFR
	LKR
	FPR
	FPO2
Direct Lighting	LDL2
	LDLB
	HLDL2
	HL
	TH2 (5 types)
	TH
	LFL
	HPD2
Diffused Lighting	LDM2
	LAV
	PDM
	LFX3
	LFX3-PT
	LFX2
	LFV3
Colimated Lighting	MSU
	MFU
Strobe Lighting	PF
Water-proof	HLDR-IP/
	IQ/HSL-PCL
Ultraviolet Lighting	UV2
	UV
	LNSP-UV-FN
Infrared Lighting	IR2
Intensity Control	IU
Spot Lighting, Etc.	HLV2
	LV
	LSP
	HFS/HFR
	HLV2-NR
	HLV2-3M-RGB-3W
	PFBR
	PFB2
Convergent Lighting	LNLP
	LNSP2
	LNSP
	Coaxial Units
	LNSP-FN
	LN/LN-HK
Diffused Lighting	LNLD
	LNLD2
	HLND
	LT
	LVN/HLDN
Oblique-Angled Lighting	LNLDG
	LNIS2
	LNIS
	LNIS-FN
Lenses	Telecentric Lens
	Macro Lens

Provides converged line lighting (High output type)



LED color

Custom orders accepted

Size

Custom orders accepted

LN-200SW2-HK-STK



LN-60SW2-HK-STK

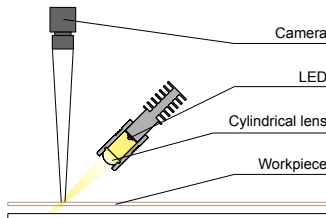
Applications

Visual inspection of film circuit boards, inspection for faults in non-woven fabrics, inspection of parts mounted on circuit boards, visual inspection of printed objects, visual inspection of plastic products, etc.

Features

Transmits light illuminated from the LEDs through the cylindrical lens on the tip for converged line lighting.

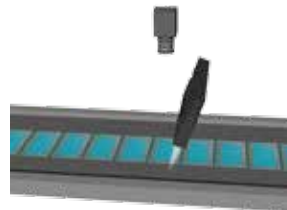
Example configuration (LN-60SW2-HK-STK)



Applications

Visual inspection for film circuit boards

Inspection for faults in non-woven fabrics



We accept custom orders. Please feel free to inquire.

- Shape modifications
- Brightness increases
- Changes in wavelength, etc.

Lineup

Model name	LED color	Power consumption	Peak wavelength/correlated color temperature	Options	Extension cables	Recommended Control Units	Weight
LN-60SW2-HK-STK	White	24 V / 6.1W	5,500 K	-	FCB*3 Straight Cable	FCB-W 2-branch Cable	250 g
LN-200SW2-HK-STK	White	24 V / 22 W	5,500 K		FCB-F 4-branch Cable	FRCB Robot Cable	750 g

LED Properties: Spectral Distribution ▶ P.306

Extension Cables ▶ P.296

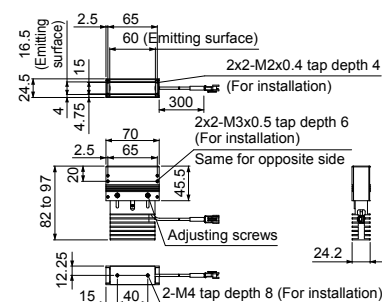
Control Unit Selection Guide ▶ P.243

List of Control Unit Specifications ▶ P.245

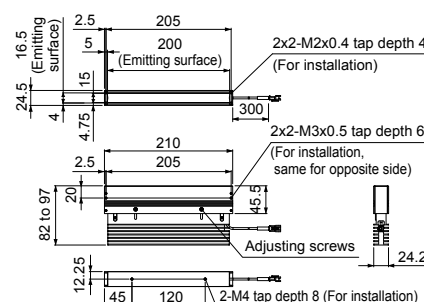
*2 Custom products with a PWM frequency of 500 kHz are available for Digital Control Unit PD3 series. Please contact your CCS sales representative for details.
*3 The cables with a model name that ends with "-ME7" or "-EL2" are not included.

Dimensions (mm)

LN-60SW2-HK-STK



LN-200SW2-HK-STK



You can change the connectors of the Light Unit cable. Choose between M12 connectors and flying leads. Refer to P.5 for details.

You can inquire using our website.

Requests for Light Unit Selection

Requests for Loan Products

Requests for Estimates

Requests for a Catalog

Product Inquiries

Other Inquiries

Inquire on our website here.
<http://www.ccs-grp.com/contact/>